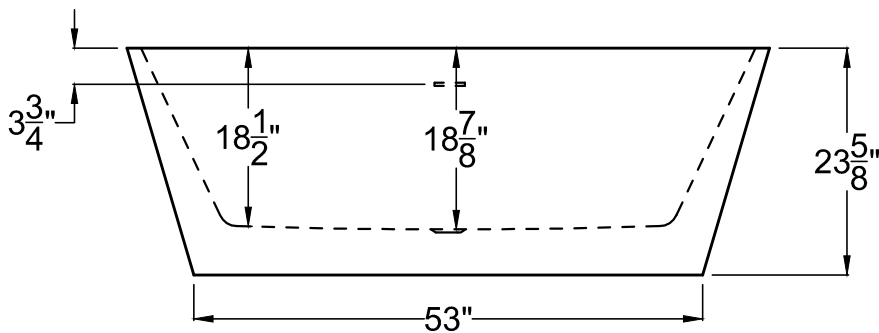


6731BW
 31¹/₂"x66⁷/₈"x23⁵/₈"

INSTALLATION: It is important that all leveling feet are completely touching the floor and level to insure proper draining.

GENERAL SPECIFICATIONS:

Material Acrylic
Soaker Weight : 89lbs/40kg
Average Fill: 80Gallons



PACKAGES AND OPTIONS

Hydrotherapy Package	Package Contents	Part #
Soaker	Soaking bath - no jets	6731BWS

- OPTIONS
- Colors Available - White
- Quick Ship - reduces lead time - call for availability
- Built in Drain Kit -Chrome

IMPORTANT INFORMATION

- Before ordering or installing, please consider future access to equipment.
- Please measure tub on-site before installation
- Make certain the floor structure is level and adequate to support installation.
- Please note that installer(s) must be certify or warranty will be voided.
- Specifications and configurations are subject to change without notice.
- Measurements are +1/2" and are subject to change without notice.
- Measurements herein supersede all others published prior to publication date shown below.